

GV-CS1320 2MP H.264 Camera Access Controller with a built-in Reader



Introduction

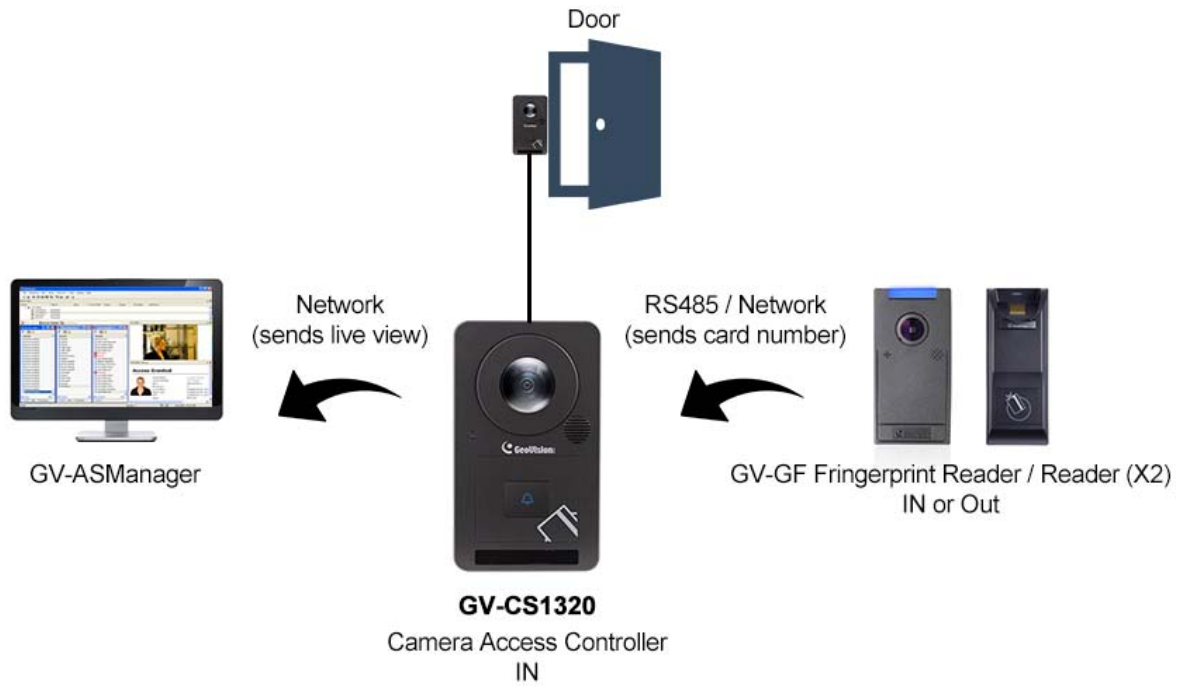
GV-CS1320 is an access controller with a built-in 2 MP camera and 13.56 MHz reader.

GV-CS1320 recognizes identification cards and grants access to up to 40,000 users accordingly. With the integration of the wide angle camera, the Card and Face Mode enables GV-CS1320 to perform face detection together with card verification before access can be granted.

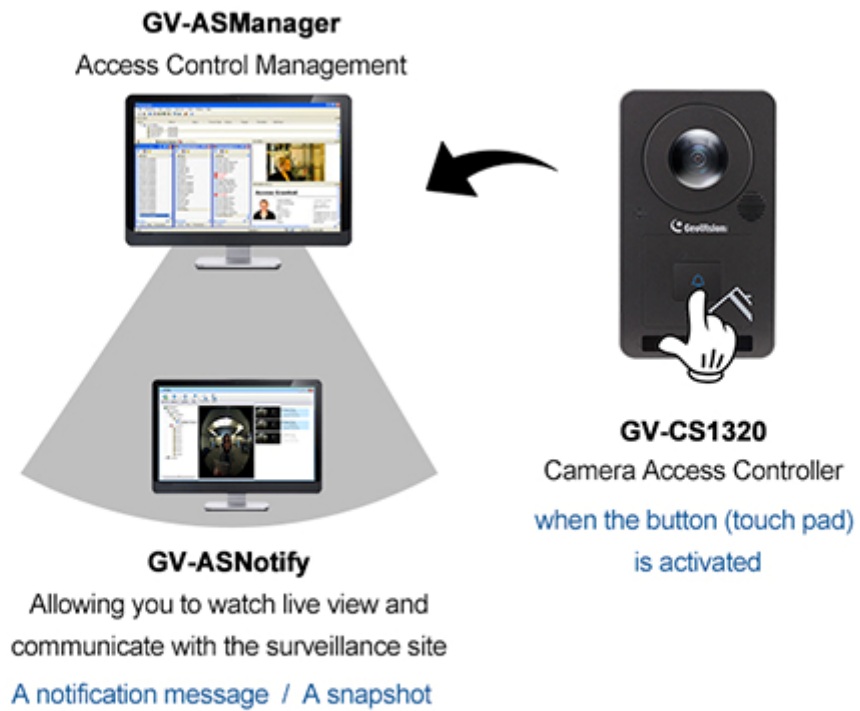
Visitors requesting entry permits can also use the bell button (touch pad) to be granted access. When GV-CS1320 is connected to GV-ASManager over the network, GV-ASNotify generates a notification message and snapshot whenever the bell button (touch pad) is activated. The operator can use GV-ASNotify to watch live view and communicate with the surveillance site via the microphone and speaker functions.

The all-in-one solution eliminates the need of installing and maintaining a separate camera in addition to the card reader and a door entry system.

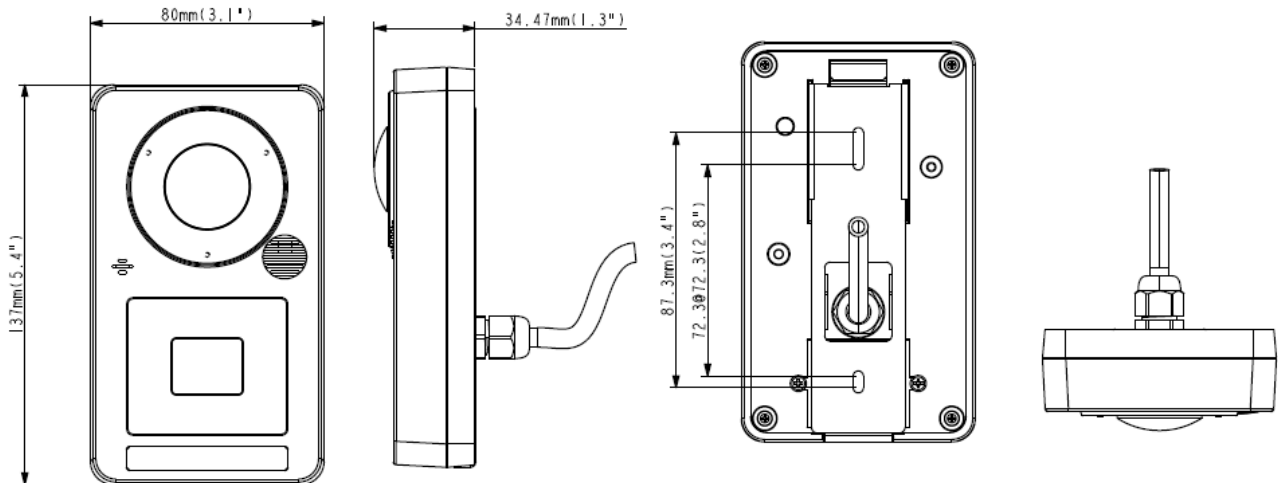
RS-485 / Network Connection



PC Connection



Dimensions



Key Features

Camera

- 2 MP progressive scan super low lux CMOS
- Minimum illumination at 0.02 lux
- Dual streams from H.264 and MJPEG
- Up to 15 fps at 1920 x 1080
- Day and night function (with removable IR-cut filter)
- Built-in IR with effective distance up to 3 m (9.84 ft)
- Ingress protection (IP66)
- 12V DC, 2.5A / PoE+ (IEEE 802.3at)
- Built-in microphone and speaker
- Wide Dynamic Range (WDR)
- Built-in micro SD card slot
- Provides 180° panorama view
- ONVIF (Profile S, C) conformant

Reader

- Built-in 13.56 MHz Reader (Mifare DESFire, MIFARE Plus and MIFARE Classic)
- Access by card plus face detection
- RS-485 and network interface for connecting up to 2 readers

Access Control

- Enabling different access control modes according to the Authentication Schedule: Card only mode (default), Card and Face Mode
- 1 door (one-way and two-way control)
- Bell button (touch pad) for talk mode
- Receiving live view and capturing snapshots when card is presented
- Anti-passback (APB) support
- 2 inputs, dry contact (Door Sensor / Exit Button)
- 1 relay outputs (30V DC, 0.5A)

Specifications

Camera		
Image Sensor		1/2.8" progressive scan super low lux CMOS
Picture Elements		1920 (H) x 1080 (V)
Minimum Illumination	B/W	0.02 Lux
Shutter Speed		Automatic, Manual (1/5 ~ 1/8000 sec)
White Balance		Automatic, Manual (2800K ~ 8500K)
S/N Ratio		52 db

Lens		
Megapixel		Yes
Day / Night function		Yes (with removable IR-cut filter)
Lens Type		Fixed
Focal Length		1.7 mm
Maximum Aperture		F/2.5
Mount		M12
Image Format		1/2.8"
Horizontal FOV		180°
IR LED Quantity		2
Max. IR Distance		3 m (9.84 ft.)
Operation		
Video Compression		H.264, MJPEG
Video Streaming		Dual streams from H.264 and MJPEG
Video Resolution	Stream 1	1920 x 1080 (16:9)
	Stream 2	640 x 360 (16:9)
Frame Rate		15 fps at 1920 x 1080 * The frame rate and the performance may vary depending on the number of connections and data bitrates (different scenes).
Image Setting		Brightness, Contrast, Saturation, Sharpness, Gamma, White Balance, Image Orientation, Shutter Speed
Audio Compression		G.711, AAC (Optional)
Network		
Interface		10/100 Ethernet
Protocol		HTTP, HTTPS, TCP, UDP, SMTP, FTP, DHCP, NTP, UPnP, DynDNS, 3GPP/ISMA RTSP, PSIA, SNMP, QoS (DSCP) , ONVIF (Profile S) and (Profile C)
Mechanical		
Local Storage		Micro SD card
Connectors	Power	2-pin terminal block
	Ethernet	Ethernet (10/100 Base-T), RJ-45 Connector
	Audio	Built-in microphone and speaker
	RS-485	RS-485 +, RS-485 -
General		
Operating Temperature		-20°C ~ 50 °C (-4 °F ~ 122 °F)
Humidity		10% to 90% (no condensation)
Power Source		12V DC, 2.5A / PoE+ (IEEE 802.3at)
Maximum Power Consumption		25.5 W
Regulatory		CE, FCC, RCM, RoHS compliant
Dimensions		137 x 80 x 34.5 mm (5.4 x 3.15 x 1.36 in)
Weight		315 g (0.69 lb)
Ingress Protection		IP66
Web Interface		
Installation Management		Web-based configuration
Maintenance		Firmware upgrade through Web Browser or Utility
Access from Web Browser		Camera live view, change video quality, bandwidth control, image snapshot, audio, picture in picture, picture and picture
Language		English / French / Portuguese / Russian / Spanish / Traditional Chinese
Applications		
Network Storage		GV-System (GV-DVR/NVR), GV-VMS
Mobile Phone support		embedded 3GPP/ISMA browser
Live Viewing		Browser (IE, Edge, Chrome, Firefox)
Access Control / LPR Management		GV-ASManager

Controller	
CPU	32-bit RISC microprocessor
Number of User Cards	40,000 cards (networked mode)
Frequency	13.56 MHz for ISO14443A (Mifare DESFire, Mifare Plus and Mifare Classic)
Event Buffer	50,000 events and log data
RS-485 Interface	1 RS-485 interface for GV-Readers (max. 2 readers)
TCP/IP Interface	1 TCP/IP interface for GV-CR420 and GV-GF1921 / 1922 (max. 2 readers)
Communication Protocol	TCP/IP
Digital I/O	2 inputs, dry contact NO/NC
	1 relay outputs (30V DC, 0.5A)
Supported ID Formats	Built-in GID and UID reader

Note:

1. GV-CS1320 does not support 3rd party readers.
2. To support face detection function, avoid placing the camera reader where the light source is directly behind the subject.
3. All specifications are subject to change without notice.

Packing List

- GV-CS1320
- Mounting Plate
- Standard Screw x 2
- Plastic Screw Anchor x 2
- Security Screw
- Torx Wrench
- Silica Gel Bag
- Micro SD Card 2 GB
- Software DVD
- Warranty Card

Options

Optional devices can expand the capabilities and versatilities of your GV-AS Controllers. Consult your sales representative for more information.

GV-Reader 1352 V2	GV-Reader 1352 V2 is a card reader that uses a 13.56 MHz frequency. It has both Wiegand and RS-485 outputs that can be connected to any standard access control panel.
GV-RK1352	GV-RK1352 is a card reader with keypad that uses a 13.56 MHz frequency. The reader has both Wiegand and RS-485 outputs that can be connected to any standard access control panel.
GV-R1352	GV-R1352 is a card reader that uses a 13.56 MHz frequency. The reader has both Wiegand and RS-485 outputs that can be connected to any standard access control panel.
GV-DFR1352	GV-DFR1352 is a card reader that uses a 13.56 MHz frequency. The reader has both Wiegand and RS-485 outputs that can be connected to any standard access control panel.
GV-GF Fingerprint Readers	GV-CS1320 is compatible with GV-GF1921 / 1922. The reader supports three operation modes: Fingerprint Only, Fingerprint + Card and Card Only. In Fingerprint Only mode, the fingerprints are enrolled through GV-ASManager. In Fingerprint + Card mode, the fingerprint templates are stored on the user card. In Card Only mode, the users only need to swipe the card to be granted access. Readers with optical and capacitance sensors are available.
GV-CR420	GV-CR420 is a card reader with a built-in 4MP wide angle IP camera. The card reader recognizes identification cards and transmits live view through network connection.
Push Button Switch	The push button switch can be integrated with access control system, allowing door exit by momentarily activating or deactivating the electric locking device. Both American standard and European standard push buttons are available.
GV-IB25 / 65 / 85 Infrared Button	The GV-IB25 / 65 / 85 Infrared Button detects infrared movement within 3 to 12 cm and allows you to open the door with a wave of hand.
Electric Lock	Three types of electric locks are available: electromagnetic lock, electric bolt and electric strike.
GV-AS ID Card & GV-AS ID Key Fob	GV-AS ID Cards and GV-AS ID Key Fobs are ideal for business and residential environment, where access control is important for security reasons. 13.56 MHz cards and key fobs are available.

Power Adapter

Contact your sales representative for the countries and areas supported.