



Designed for your lifestyle

HD77 Detector

With camera and microphone Installation Guide Version 1.0



P R D O X
HD77-EQ00

Product Description

The HD77, is an HD quality camera which provides Video on Demand (VOD) as well as HD audio/video verification of alarm events. Users can see and hear what is going on in their secured location any time, day or night.

It combines high definition (720p) color video and audio with a high quality (quad) motion detector to monitor areas up to 12m x 12m (40ft x 40ft). Infrared night visibility of up to eight meters enables 24 hour a day monitoring and alarm verification.

Integrated HD A/V and alarm reporting can be sent to the monitoring station (via IPRS-7) and to authorized user's email to help determine the cause for an alarm, and apply an appropriate response to the situation.

Hardware Installation

This section explains the hardware requirements and mounting instructions.

Requirements

Hardware

Note: The HD77 requires two separate cables. 1 Ethernet cable and 1 4-wire combus.

In order to take full advantage of all that the Insight Solution has to offer ensure that the mounting location has the following infrastructure:

- 4-wire combus cable that connects to the EVOHD
- Ethernet line that connects to a router or Ethernet connection
- a router with enough ports to connect all of the cameras (1 port for each camera) plus 1 port if you are using an IP150, 1 port for your computer, and 1 port for the incoming internet connection

If the router does not have enough ports you will also need a switch.

The router will need to be configured for port forwarding for the HD77. Each HD77 in the system will have a different IP address and each one will need port forwarding to two ports of its IP address. One to <IP address>:80 and one for <IP address>:443.

The installer will also need to have the following job specific tools and equipment:

- a laptop With Windows 7
- a connection from your laptop to the system either by:
 - 307USB cable to connect to the EVOHD serial port
 - or
 - IP150 Internet module

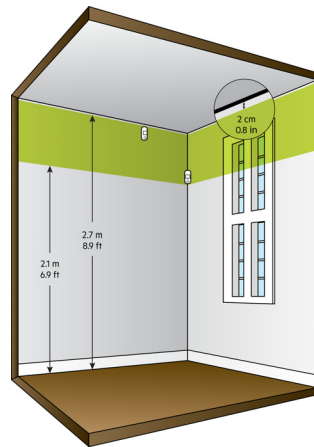
Software

The installer will also need to have the following software available on his laptop:

- BabyWare Installer software V 2.5 or higher (downloadable from paradox.com)
- ParadoxIP Exploring Tool V1.66 or higher (downloadable from paradox.com)

Location and Mounting

Follow the recommendations (Dos and Don'ts) in order to get the most out of your system.



Dos

- Install the device at a height between 2.1m to 2.7m (7ft to 9ft), allowing a minimum gap of 2cm (~1 in) from the ceiling (to allow for opening/closing of the cover).
- Install the device in a location where the detector and camera's field of view is clear of any obstacles.
- For LAN connection, use a CAT5e Ethernet cable (70m max.) between the HD77 and the router.
- Mount the module so that walking traffic cuts across the beam pattern.

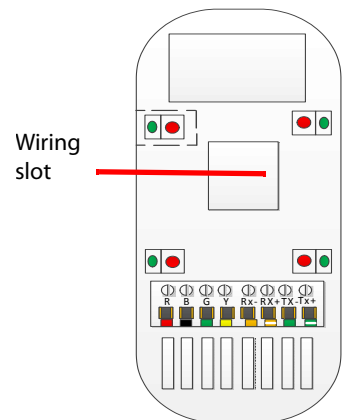
Don'ts

- Do not install the device near objects causing temperature changes such as heaters, refrigerators and ovens.

- Do not install the device in the path of air flow from vents, fans or windows.
- Do not install the device in the path of reflective surfaces, direct sunlight or infrared light.
- Do not install the device where it is exposed to oil vapors or steam.
- Do not touch the sensor surface or the camera lens as this could result in a detector malfunction.

HD77 Installation (Wall or Corner Mount)

1. Separate the front from the back plate of the HD77:
 - Step 1. Open the lock mechanism at the bottom of the device.
 - Step 2. Pry the cover off from the bottom of the unit.
 - Step 3. Lift the front cover up and away. On the back of this module you will see the serial number.
 - Step 4. Write the serial number of the module into your module table. Don't forget to include the exact location of this module. If you are using BabyWare the Serial number will be displayed, but you will need to put the correct location for each module serial number.
2. Knock out the appropriate holes on the back plate. Use an awl or an ice pick.
 - Step 1. Ensure to include the wall tamper knockout for the installation.



3. Secure the back plate to the wall at the location:

Step 1. Install the device a minimum of 2cm (~1 in) from the ceiling, between 2.1m and 2.7m off the floor.

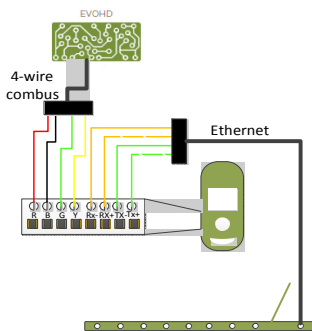
Step 2. Insert the Ethernet and 4-wire combus cables through the wiring slot of the back plate.

Step 3. Secure the back plate to the wall with screws (use wall anchors if required).

Step 4. Ensure that the wall tamper knockout is secured to the wall.

Step 5. Wire up both the 4-wire combus and the Ethernet cable.

Step 6. Connect the wires to the terminal board..



Step 7. Slack wire should not interfere with closing the cover.

These are 2 separate cables going to two different locations. One cable to the router and one cable to the EVOHD.

4. Place the front cover onto the back plate:

Step 1. Install the top of the unit first.

Step 2. Close the HD77 onto the back plate.

Step 3. Close the lock mechanism at the bottom of the device. (note that by securing the lock, the technician indication LED will be turned off).

5. Connect the Ethernet line to the router (if not already connected). Make sure the router is turned on.

6. After the whole system hardware is connected power up the system by connecting the power lines from the 16V AC transformer to the EVOHD.

7. The system will boot-up including the HD77.

The HD77 boot-up is indicated by LED1. The LED will flash blue for up to 3 minutes.

Configure IP Router

Set Up the Port Forwarding on the router. For port-forwarding configurations, please visit the following website and select your router:

http://portforward.com/english/routers/port_forwarding/routerindex.htm

HD77 PProgramming

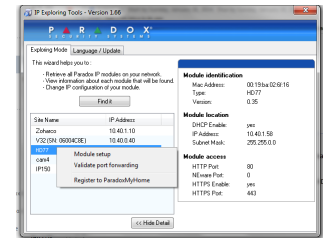
Program the HD77 through BabyWare.

Set up ParadoxMyHome Account

You should already have a ParadoxMyHome account. If you do not have an account, please refer to the HD77 Reference Guide for more information.

Open the explorer tool, right click on the camera, select Module setup. Fill in the details according

to the port forwarding. The password is "paradox". You can now register the camera to ParadoxMyHome.



The End User will need to download the Insight App from the iTunes store and Set up Approved Camera viewers, including recording rights.

HD77 Specifications

Image sensor type	1.4 Mega pixel, CMOS sensor	Detection speed	0.2 m/s to 2.5 m/s (0.6 ft/s to 11.5 ft/s)
Voltage input	11.2Vdc to 16Vdc	Angle of view (Camera)	62.7° (V) x 91.4° (H) x 121.4° (D)
Current consumption	330 mA RMS	Video Image Resolution	1280 x 720 pixels
Installation Height	2.1 m - 2.7 m (7 ft - 9 ft)	Facial Identification	4.5 meters
Installation Options	Wall or corner, optional swivel bracket	Facial Recognition	7 meters
Coverage	12 m x 12 m (40 ft x 40 ft) / 100°	Streaming Video	360p H.264 10 FPS
PIR Type	Quad PIR, Auto pulse, Auto dual edge, Digital detector	Pre-Event Recording	3 seconds prior to PIR activation / alarm
Streaming video resolution	360 p	Audio	16 bit, 16KHz sampling rate, 32Kb/s mono
PIR and video linked files	The file naming conventions link the PIR file with its corresponding video file	Physical Size	(H x W x D) 15 cm x 7.5 cm x 5 cm (6 in x 3 in x 2 in)
Operating temperature	-10° C to +40° C (14° F to 104° F)	Environmental	See the Paradox.com website for the latest certifications for this product.

Warranty: For complete warranty information on this product please refer to the Limited Warranty Statement found on the website www.paradox.com/terms. Your use of the Paradox product signifies your acceptance of all warranty terms and conditions. Please ensure compliance with the applicable laws of local jurisdictions including privacy laws.

© 2014 Paradox Ltd. All rights reserved. Specifications may change without prior notice.

For the latest information on products approvals, such as UL and CE, please visit www.paradox.com.