

GV-NET Card V3.2

The GV-NET Card is a RS-485 / RS-232 interface converter. This Card connects to the RS-232 port or USB port on your computer, and allows RS-485 devices, such as PTZ domes, to be connected through the Card.

System Requirements

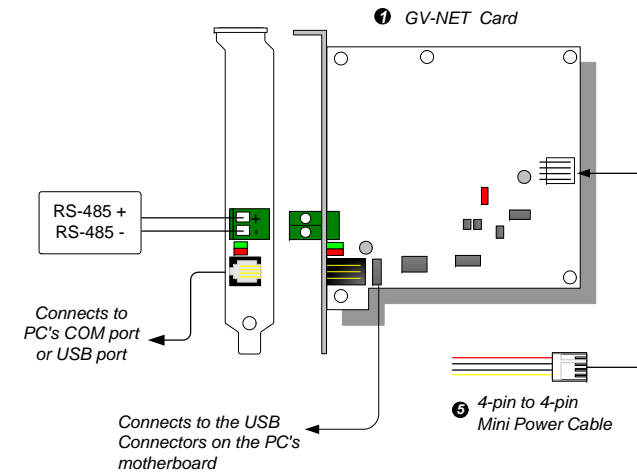
If the GV-NET Card is listed as **Prolific USB-to-Serial Comm Port** under Windows Device Manager, GV-System version 8.2 or above is required. If the GV-NET Card is listed as **XR21B1411 USB UART** under Windows Device Manager, GV-System version 8.5.7.0 or above is required.

To see how to check the device name under Windows Device Manager, refer to *Installing USB Driver* later in this Installation Guide.

Packing List

1. GV-NET Card x 1
2. RJ-11 to DB9 Cable x 1
3. RJ-11 to USB Cable x 1
4. Pin Internal USB Cable x 1
5. Pin to 4-Pin Mini Power Cable x 1

Overview



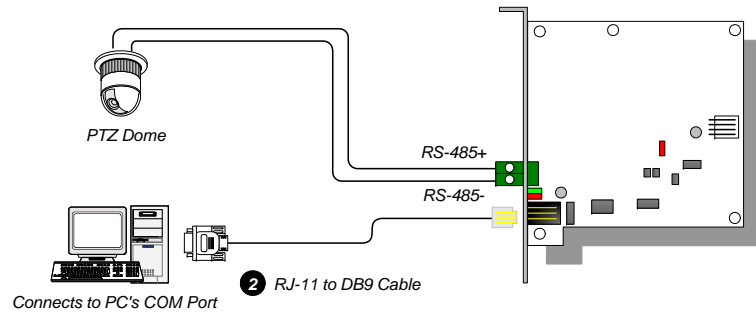
GV-Net Card Connections

Note: The GV-NET Card only provides RS-485 / RS-232 data conversion; the connection to the GV-Video Capture Card is not required.

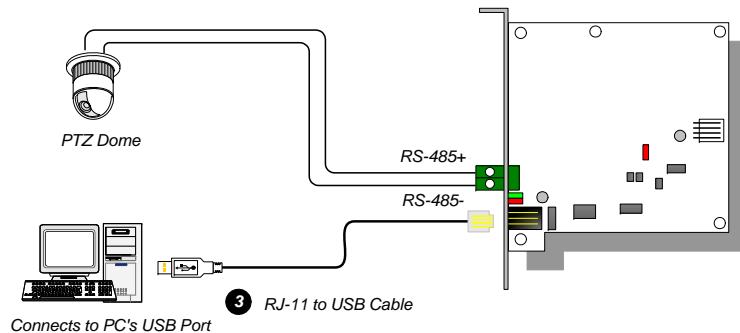
RS-485 Device Connections

To connect the GV-NET Card to the RS-485 devices, there are three ways of connections. See the pictures below.

1. You can connect a RJ-11 to DB9 Cable to the PC's COM Port when a RS-485 device is connected.

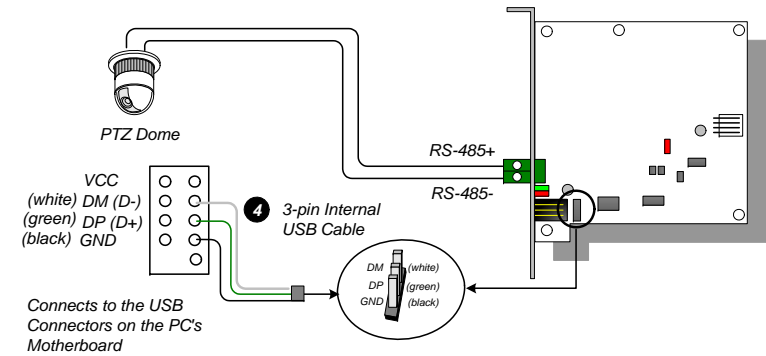


2. You can connect a RJ-11 to USB Cable to the PC's USB Port when a RS-485 device is connected.



Note: It is required to install the USB driver. For details, see *Installing USB Driver* later in the Installation Guide.

3. You can connect a 3-Pin Internal USB Cable to the USB connectors on the PC's Motherboard when a RS-485 device is connected.

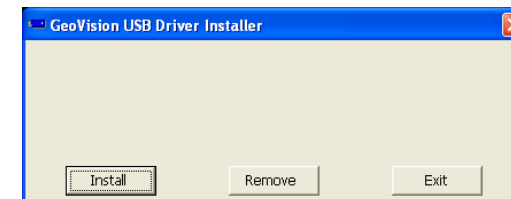


Note: It is required to install the USB driver. For details, see *Installing USB Driver* later in the Installation Guide.

Installing USB Driver

To use the USB function, it is required to install the driver on the PC. Follow these steps to install the driver:

1. Insert the software DVD. It will run automatically and pop up a window.
2. Click **Install GeoVision USB Devices Driver**. This dialog box appears.



3. Click **Install** to install the drivers. When the installation is complete, this message will appear: *Install Successfully*.
4. Click **Exit** to close the dialog box and restart the PC.

To verify the drivers are installed correctly, go to Windows **Device Manager** after restarting the PC. Expanding the **Ports** field, you should see **Prolific USB-to-Serial Comm Port** or **XR21B1411 USB UART** depending on the version of the driver. The COM number in the parenthesis indicates the COM port currently in use.



Specifications

OS	32-bit	Windows XP / Vista / 7 / 8 / Server 2008
	64-bit	Windows 7 / 8 / Server 2008 / Server 2012
Interface		RJ-11 to DB9 (RS-232)
		RJ-11 to USB
		3-Pin Internal USB to Internal USB
		RS-485+ / RS-485
Communication		RS-485 1,200~115,200 bps
Environmental Condition		0~50 Degree C / 32~122 Degree F 5%~95% (Non-Condensing)
Compatible Model		All GV-Video Capture Card Models
Dimensions (W x H)		97 x 90 mm / 3.82 x 3.54 in