

GV-SD220-S (20x / 30x) Outdoor Full HD IP Speed Dome



- 1/2.8" progressive scan CMOS sensor
 - Full HD 1080p at up to 30 fps and 720p at up to 60 fps
 - 20x / 30x optical zoom and 12x digital zoom
 - H.264 and MJPEG video compression
 - Dual streams
 - IR-cut filter for day and night function
 - Vandal resistance (IK10 for metal and polycarbonate casing)
 - Ingress protection (IP67)
 - 4 digital inputs, 1 relay output
 - Built-in micro SD card slot (SD/SDHC) for local storage
 - Auto focus
 - Wide Dynamic Range Pro (WDR Pro)
 - Backlight Compensation
 - Image noise reduction
 - Pan 360° endlessly
 - Tilt from 0° up to 180°
 - Preset speed at up to 460° /sec
 - PTZ movement (Preset, Sequence, Auto Pan, Cruise and Tour)
 - PTZ movements by schedule
 - Auto and manual PTZ calibration
 - Motion detection
 - Privacy Mask
 - 2-way audio
 - Supports iPhone, iPad, Android & 3GPP
 - ONVIF (Profile S) conformant
 - 31 languages on Web interface
- * No memory card slot & local storage function for Argentina

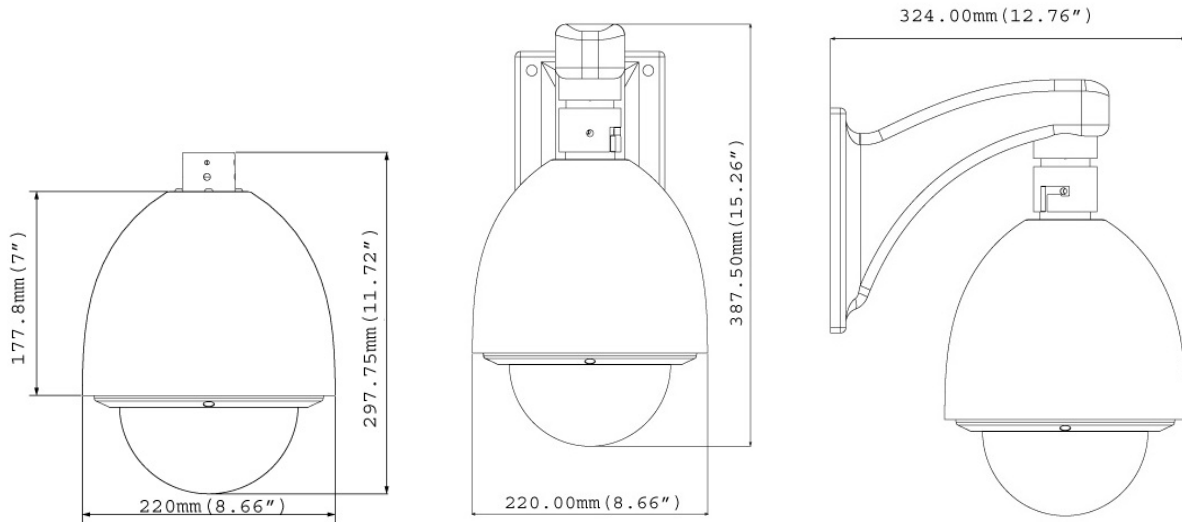
Introduction

The GV-IP Speed Dome (GV-SD220-S) is a network PTZ camera designed for image quality and adaptability in various environments. This camera offers image of 1080p at 30 fps, 720p at 60 fps and 20x / 30x optical zoom, capable of showing smooth live view with great detail. In low-light environments, image quality is promised with its image processing tools, such as IR-cut filter (ICR), Wide Dynamic Range Pro (WDR Pro), Backlight Compensation and noise reduction.

Wide surveillance coverage is made possible with 360° endless panning and 180° tilting capacity. Dome movements such as Preset, Sequence, Auto Pan, Cruise and Tour can be programmed and activated by schedule. You can create multiple dome movement modes and have different modes enabled at different time slots. The GV-IP Speed Dome provides variable pan/tilt speeds ranging from a fast patrol of 460° per second to a slow ramble of 0.5° per second with 0.2° pan accuracy for fast and accurate tracking ability.

The GV-IP Speed Dome comes with an indoor model, an outdoor model and also optional mounting kits for outdoor installations on wall, ceiling and pole.

Dimensions



Specifications

Camera		
Image Sensor		1/2.8" progressive scan CMOS
Optical Zoom		20x / 30x
Digital Zoom		12x
Picture Elements		1920 (H) x 1080 (V)
Minimum Illumination	Color	0.05 Lux at F/1.6
	B/W	0.005 Lux at F/1.6
Electronic Shutter		1/1 ~ 1/10000 sec.
White Balance		Auto / Manual
Iris Control		Auto / Manual
AGC control		Auto / Manual
S/N Ratio		50 dB (AGC Off)
WDR Pro		Yes (with WDR sensor)
Optical Lens		
Megapixel		Yes
Day / Night		Yes (with removable IR-cut filter)
Focal Length	20x	4.7 ~ 94 mm
	30x	4.3 ~ 129 mm
Operation	Focus	Auto / Manual
	Zoom	20x / 30x
	Iris	Auto / Manual
Video		
Video Compression		H.264, MJPEG
Video Streaming		Dual streams
Video Resolution	16:9	1920 x 1080, 1280 x 720, 640 x 360, 448 x 252
Frame Rate		30/25 fps (60/50 Hz) at 1920 x 1080 60/50 fps (60/50 Hz) at 1280 x 720
Audio		
Audio Compression		G.711, AAC (optional)
Audio Support		Two-way Audio
Network		
Interface		10/100 Ethernet
Protocol		DHCP, DynDNS, FTP, HTTP, HTTPS, NTP, ONVIF (Profile S), QoS (DSCP), RTSP, SMTP, SNMP, TCP, UDP, UPnP, 3GPP/ISMA

Mechanical		
Temperature Detector		Yes
Connectors	Power	DC Jack
	Ethernet	10/100 Base-T, RJ-45 connector
	Audio	1 in (RCA female for microphone); 1 out (RCA female for speaker)
	Local Storage	Micro SD card slot (SD/SDHC, SD version 2.0 only, Class 10) *SDXC and UHS-I card types are not supported.
	Digital I/O	I/O wires
Operation		
Pan Travel		360° endless
Tilt Travel		0° ~ 180°
Manual Speed		0.5° ~ 460°/s
Calibration		Auto / Manual
Presets	Max. Number	255
	Accuracy	0.2°
Sequence	Max. Number	8
	Max. Presets Allowed	16
Auto Pan		8
Cruise		4
Tour	Max. Number	8
	Max. Number of Preset / Sequence / Auto Pan / Cruise	16
Privacy Mask		8
Proportional Pan & Tilt		Auto (Pan and tilt speed proportional to zoom ratio)
Automatic Function		Preset, Sequence, Auto Pan, Cruise, Tour
Mechanical Flip		On / Off
Digital Slow Shutter		On / Off
Motion Detection		On / Off
Wide Dynamic Range		On / Off
Day/Night: Mechanical IR Cut Filter		On / Off
Picture Flip		On / Off
Image Freeze		On / Off
Digital Noise Reduction		On / Off
Alarm	Input	4
	Output	1
	Reaction	Preset, Sequence, Auto pan, Cruise, Tour
General		
Operating Temperature		-40°C ~ 50°C (-40°F ~ 122°F)
Heater		Heater 1 On: 5°C (41°F); Off: 8°C (46.4°F) Heater 2 On: -7°C (19.4°F); Off: -2°C (28.4°F)
Fan-On		45°C (113°F)
Humidity		20% ~ 90% (non-condensing)
Dimensions		∅ 220 x 297.75 mm (8.7" x 11.7")
Weight		4.7 kg (10.4 lb)
Power Source		24V AC ± 10%, 3A / 24V DC ± 10%, 3.75A
Power Consumption		60 W (with 30W heater)
Ingress Protection		IP67
Vandal Resistance		IK10 for metal and polycarbonate casing
Regulatory		CE, FCC, RoHS
Web Interface		
Installation Management		Web-based configuration
Maintenance		Remote upgrade through Web Browser, IP Device Utility included in the Software CD
Access from Web Browser		Live View, Video Recording, PTZ Control, Preset, Sequence, Cruise, Auto Pan, Tour, Image Quality, Bandwidth Control, Image Snapshot, I/O Control, 2-way Audio, Picture-in-Picture (PIP), Picture-and-Picture (PAP), Text Overlay, Image Masking

Language	Arabic / Bulgarian / Czech / Danish / Dutch / English / Finnish / French / German / Greek / Hebrew / Hungarian / Indonesian / Italian / Japanese / Lithuanian / Norwegian / Persian / Polish / Portuguese / Romanian / Russian / Serbian / Simplified Chinese / Slovakian / Slovenian / Spanish / Swedish / Thai / Traditional Chinese / Turkish
Applications	
Network Storage	GV-NVR, GV-System, GV-Backup Center, GV-Recording Server
Smart Device Access	GV-Eye for Android smartphone, tablet, iPhone, and iPod Touch GV-Eye HD for iPad
Live Viewing	IE , mobile phone
CMS Server support	GV-Control Center, GV-Center V2, GV-VSM

Note: Specifications are subject to change without notice.




Packing List

- | | |
|-------------------------------------|---------------------------------|
| 1. GV-SD220-S Outdoor IP Speed Dome | 5. Desiccant Pack x 4 |
| 2. Pendant Tube | 6. GV-IP Speed Dome Software CD |
| 3. Hex Key x 2 | 7. GV-NVR Software DVD |
| 4. M6 Screw x 4 | |

Note: Power adapters can be purchased upon request.

Accessories

Part Number	Name		Details
GV-Mount100	Straight Tube and Junction Box Kit		Dimensions: 200 x 170 x 257.5 mm (7.9" x 6.7" x 10.1") Weight: 3.17 Kg (6.99 lb)
GV-Mount101	Straight Tube Kit		Dimensions: 219 x 125 x 332 mm (8.6" x 4.9" x 13.1") Weight: 1.8 Kg (3.97 lb)
GV-Mount203	Wall Pendant Tube and Junction Box Kit		Dimensions: 315 x 195.5 x 225 mm (12.4" x 7.7" x 8.9") Weight: 2.95 Kg (6.5 lb)
GV-Mount300	Convex Corner Adapter Kit		Dimensions: 238.6 x 409.5 mm (9.4" x 16.1") Weight: 4.27 Kg 9.41 lb)

Part Number	Name		Details
GV-Mount310	Concave Corner Adapter Kit		Dimensions: 238.6 x 409.5 mm (9.4" x 16.1") Weight: 4.27 Kg (9.41 lb)
GV-Mount400	Pole Mount Bracket Kit (Ø 4" ~ 6")		Dimensions Bracket: 241 x 161 mm (9.5" x 6.3") Weight: 1.70 Kg (3.75 lb) Steel Strap: Ø 4" ~ 6"
GV-Mount410	Pole Mount Bracket Kit (Ø 6" ~ 7.5")		Dimensions Bracket: 241 x 161 mm (9.5" x 6.3") Weight: 1.70 Kg (3.75 lb) Steel Strap: Ø 6" ~ 7.5"
GV-Mount702	Extension Tube		Four options are available. Dimensions: Ø 5.4 x 10 or 20 or 30 or 50 cm (Ø 2.1" x 3.9" or 7.9" or 11.8" or 19.7") Weight: 180 g or 390 g or 550 g or 800 g (0.4 lb or 0.86 lb or 1.21lb or 1.76 lb)
GV-Mount908	In-Ceiling Mounting Kit for GV-SD220-S IP Speed Dome		Dimensions Mounting Plate: 227 x 286 mm (8.9" x 11.3") Weight 2.05 Kg (4.5 lb)

Part Number	Name	Details
	DC 24V Power Adaptor 100-240VAC US	 <p>Dimensions (L x W): 132.75 x 58.6 mm (5.23" x 2.3") Weight: 0.39 kg (0.86 lb) Input: 100 to 240V AC 2.5A 50-60Hz Output: 24V DC 3.75 A</p>
	DC 24V Power Adaptor 100-240VAC AU	
	DC 24V Power Adaptor 100-240VAC AR	
	DC 24V Power Adaptor 100-240VAC EU	
	DC 24V Power Adaptor 100-240VAC JU	
	DC 24V Power Adaptor 100-240VAC UK	